

TG2625AFCS-P

2.6mm F2.5
for 1/3 type Cameras, Pinhole
CS-Mount

with Focus and Amplifier

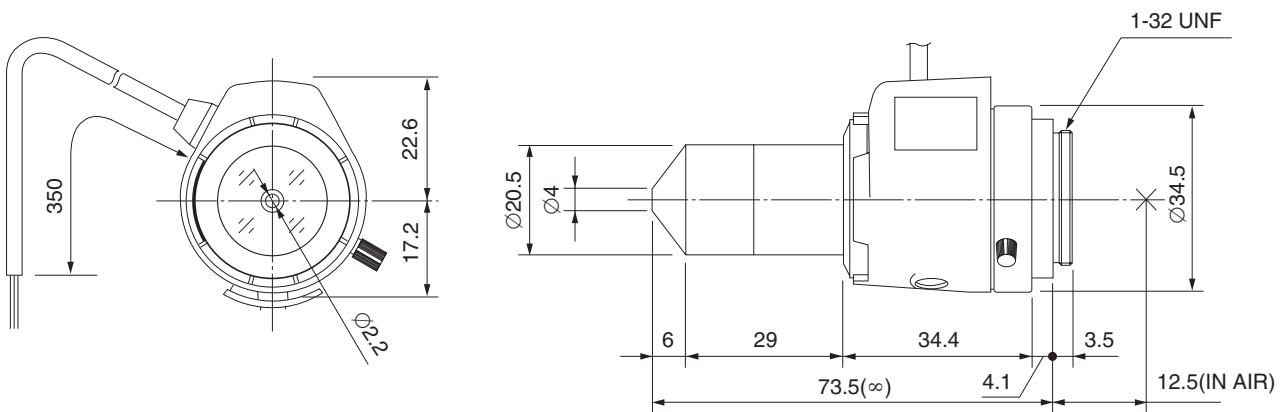
1/3
type

CS

Model No.	TG2625AFCS-P		Effective	Front	Ø2.2mm
Focal Length	2.6mm		Lens Aperture	Rear	Ø11.5mm
Max. Aperture Ratio	1:2.5		Back Focal Length		14.1mm
Max. Image Format	4.8mm x 3.6mm(Ø6mm)		Flange Back Length		12.5mm
Operation Range	Iris	F2.5 - F360C	Mount		CS-Mount
	Focus	0.2m - Inf.	Filter Size		—
Control	Iris	Video Auto Iris	Dimensions		Ø34.5mm x 39.8mm x 73.5mm
	Focus	Manual	Weight		85g
Object Dimension at M.O.D.	35.5cm x 26.7cm				
Angle of View	D	1/3 type	96.0°	1/4 type	79.6°
	H		83.2°		67.5°
	V		67.5°		53.2°
Supply Voltage	DC8V - DC16V				
Current	35mA or less				
Response Time	Approx. 2 sec.				
Light Weighting Method	Adjustable between Average - Peak (to be Set at Average at Factory)				
Input Signal	Video Signal (V. or V.S.)				
Iris Accuracy	±15% at Video Signal Level				
Sensitivity Adjustment	0.5V(p-p) - 1.0V(p-p) (Video Signal)				
Input Impedance	High Impedance				
Operating Temperature	-10°C - +50°C				

M.O.D. : Minimum Object Distance

Dimensions



Wiring Diagram

