

TG3Z3510FCS

3X 3.5mm - 10.5mm F1.0
for 1/3 type Cameras, Vari-focal Auto Iris DC Drive
CS-Mount

with Focus, w/o Amplifier

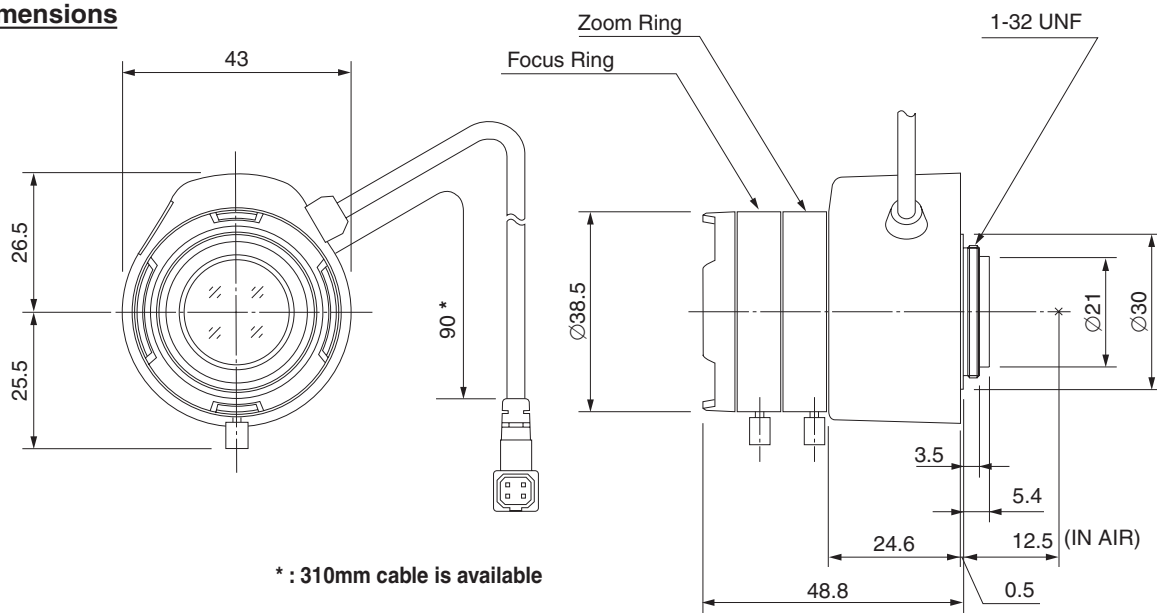
1/3
type

Model No.	TG3Z3510FCS		Effective	Front	Ø18.5mm	
Focal Length	3.5mm - 10.5mm		Lens Aperture	Rear	Ø10.1mm	
Max. Aperture Ratio	1:1.0		Back Focal	Tele	16.3mm	
Max. Image Format	4.8mm x 3.6mm(Ø6mm)			Length	Wide	8mm
Operation Range	Iris	F1.0 - F360C		Flange Back Length		12.5mm
	Focus	0.3m - Inf.		Mount		CS-Mount
	Zoom	3.5mm - 10.5mm		Filter Size		—
Control	Iris	DC Auto Iris		Dimensions		Ø38.5mm x 48mm x 48.8mm
	Focus	Manual		Weight		65g
	Zoom	Manual				
Object Dimension at M.O.D.	3.5mm	51.8cm x 34.1cm				
	10.5mm	14.5cm x 10.8cm				
Angle of View	D	1/3 type	108.4° - 34.2°	1/4 type	75.9° - 25.5°	
	H		81.6° - 27.2°		59.2° - 20.4°	
	V		59.2° - 20.4°		43.8° - 15.3°	
Coil	Drive	190Ω				
	Control	855Ω				
Operating Temperature	-20°C - +50°C					

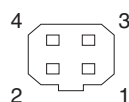
M.O.D : Minimum Object Distance

CS

Dimensions



Wiring Diagram



Pin No.

1	BROWN	Control (-)
2	RED	Control (+)
3	YELLOW	Drive (+)
4	ORANGE	Drive (-)