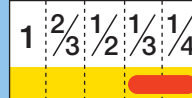




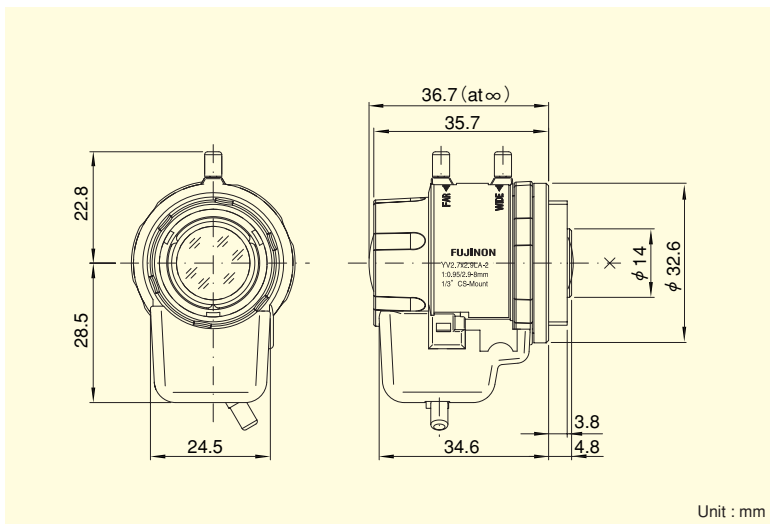
For Security
Vari-Focal

YV2.7×2.9LA-2



- VARI**
Vari-Focal
- WIDE**
Wide Angle
- MANUAL**
Manual Iris
- CS-mt**
CS Mount
- METAL**
Metal Mount
- AT**
Aspherical Lens
- F0.95**
Wide Aperture Rate

2.7×



Unit : mm

- Unparalleled brightness at the maximum aperture of F0.95, optimizing the performance at low lighting intensity
- Super wide angle spec, WIDE2.9mm, achieving the horizontal field angle of 93 degrees (when used on 1/3 cameras)
- Compact and lightweight design, best suited for the use with dome cameras
- High accuracy aspheric lens adopted, achieving the high quality image

VARI-FOCAL LENSES

Focal Length (mm)		2.9~8 (2.7×)	
Iris Range		F0.95 ~ Close	
Operation	Zoom	Manual	
	Focus	Manual	
	Iris	Manual	
Angle Of View (H×V)	1/3"	WIDE	93°34' × 68°46'
		TELE	34°53' × 26°09'
	1/4"	WIDE	68°42' × 51°12'
		TELE	26°06' × 19°36'
Focusing Range (From Front Of The Lens) (m)		∞ ~ 0.3	
Object Dimensions at M.O.D. (H×V) (mm)	1/3"	WIDE	650 × 422
		TELE	194 × 143
	1/4"	WIDE	488 × 317
		TELE	146 × 107
Back Focal Distance (in air) (mm)		7.7	
Exit Pupil Position (From Image Plane) (mm)		62	
Filter Thread (mm)		—	
Mount		CS	
Mass (g)		35	
Remarks		•Metal Mount	