

MB-108

2MP 10x AF HD-SDI Box Camera

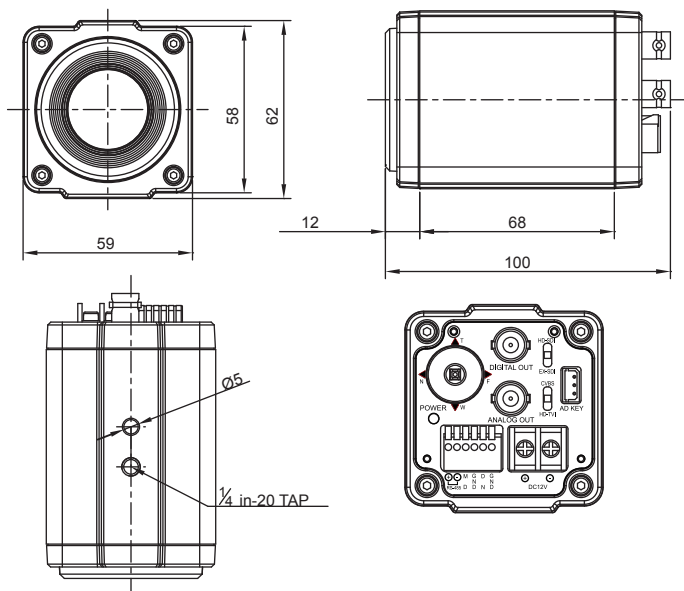


FEATURES

- 1/3" 2MP 60fps Panasonic CMOS sensor
- 1080p 60fps / 30fps, 720p 60fps / 30fps
- HD-SDI, EX-SDI, TVI, CVBS
- 10x Optical Zoom(5.1~51mm) & 32x Digital Zoom
- Real-time True WDR
- Digital Noise Reduction(2D+3D)
- Digital Slow Shutter
- Digital Image Stabilizer
- De-Fog, Live Defect correction, HLC(High Light Compensation)
- ACE(Advanced Contrast Enhancement)
- Privacy Mask, Motion Detection
- Protocol(VISCA, Pelco-D, Pelco-P)

DIMENSIONS

Unit : mm



- ❖ 1/3" 2MP 60fps Panasonic CMOS
- ❖ 1080p 60fps/30fps, 720p 60fps/30fps
- ❖ Real-time True WDR
- ❖ HD-SDI, EX-SDI, TVI, CVBS

SPECIFICATIONS

MB-108		
Image sensor	Sensor Type	1/3" Panasonic CMOS
	Total Pixels	1956(H) x 1266(V) = 2,476,296 (pixel)
	Active Pixels	1944(H) x 1092(V) = 2,122,848 (pixel)
Resolution	Digital : 1080p/60(50)fps, 1080p/30(25)fps, 720p/60(50)fps, 720p/30(25)fps	
Scanning System	Progressive	
Min.Illumination	Color : 0.5Lux, BW : 0.1Lux	
	Color DSS : 0.002 lux , BW DSS : 0.001 lux	
Video Output	HD-SDI, EX-SDI, TVI, CVBS	
S/N Ratio	More than 50dB(AGC off)	
Lens	Lens Type	10x, Day & Night Zoom Lens
	Zoom Ratio	Optical 10x , Digital 32x
	Focal Length	f = 5.1 mm ~ 51 mm
	Aperture Ratio	F1.6 (wide) ~ F1.8 (tele)
	Focus Distance	0.1 / 1.0 / 3.0 / 5.0 / 10.0 m
	Function	Digital Zoom
Exposure		Auto / Iris.P / Shut.P / Manual
Gain Control		Off / On (Auto max.30dB)
Shutter Speed		1/30(1/25) ~ 1/30,000
Digital Shutter Speed		Off / 2x ~ 4x
Brightness		0 ~ 20
Output Format		1080p / 720p
Frequency		60Hz / 50Hz
WDR		Off / On
BLC		Off / On
HLC		Off / On
Day & Night		Auto / Day / Night / Ext-in
White Balance		Auto / One Push / Manual / Indoor / Outdoor
DNR		Off / Auto / Low / Middle / High
Privacy Mask		Off / 24 positions
Motion Detection		Off / 3 positions
Defog		Off / On
Mirror		Off / H / V / H+V
Sharpness		0 ~ 10
Shading		Off / On
Smart IR	Off / On	
Defect Detection	Off / On	
CVBS Output	Off / On	
Communication	Protocol	Pelco -D / Pelco-P / VISCA
	Baud Rate	2400 / 4800 / 9600 / 19200 / 38400 / 57600 / 115200
Electrical	Power Source	DC 12V ± 10%
	Power Consumption	Max 500mA
General	Operating Temperature	-10℃ ~ 50℃
	Storage Temperature	-20℃ ~ 60℃
Weight	Approximately 0.57kg	

REMOTE CONTROLLER

IRC-300



Key setting : TELE(UP) , WIDE(DOWN)
NEAR(LEFT), FAR(RIGHT)
MENU, F1, F2