

# MB-308

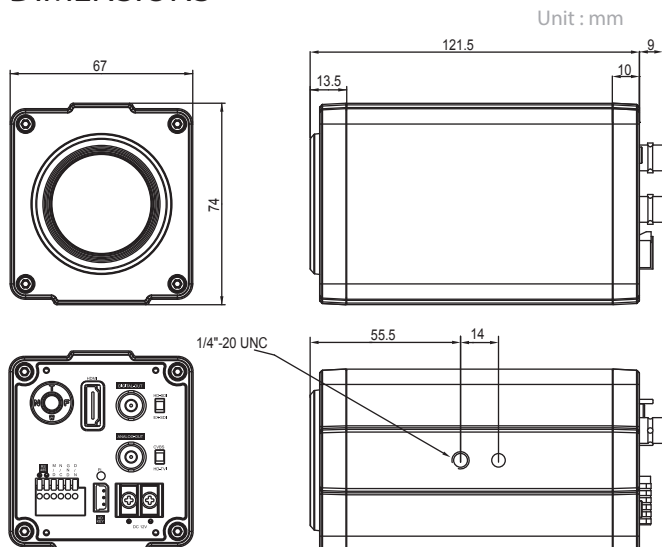
2MP 30x AF HD-SDI Box Camera



## FEATURES

- 1/3" 2MP 60fps Panasonic CMOS sensor
- 1080p 60fps / 30fps, 720p 60fps / 30fps
- HD-SDI, EX-SDI, TVI, CVBS, HDMI
- 30x Optical Zoom(4.3~129mm) & 32x Digital Zoom
- Real-time True WDR
- Digital Noise Reduction(2D+3D)
- Digital Slow Shutter
- Digital Image Stabilizer
- De-Fog, Live Defect correction, HLC(High Light Compensation)
- ACE(Advanced Contrast Enhancement)
- Privacy Mask, Motion Detection
- Protocol(VISCA, Pelco-D, Pelco-P)

## DIMENSIONS



- ❖ 1/3" 2MP 60fps Panasonic CMOS
- ❖ 1080p 60fps/30fps, 720p 60fps/30fps
- ❖ Real-time True WDR
- ❖ HD-SDI, EX-SDI, TVI, CVBS, HDMI

## SPECIFICATIONS

MB-308		
Image sensor	Sensor Type	1/3" Panasonic CMOS
	Total Pixels	1956(H) x 1266(V) = 2,476,296 (pixel)
	Active Pixels	1944(H) x 1092(V) = 2,122,848 (pixel)
Resolution		Digital : 1080p/60(50)fps, 1080p/30(25)fps, 720p/60(50)fps, 720p/30(25)fps
Scanning System		Progressive
Min.Illumination		Color : 0.5Lux, BW : 0.1Lux
		Color DSS : 0.125 lux , BW DSS : 0.025 lux
Video Output		HD-SDI, EX-SDI, TVI, CVBS, HDMI
S/N Ratio		More than 50dB(AGC off)
Lens	Lens Type	30x, Day & Night Zoom Lens
	Zoom Ratio	Optical 30x , Digital 32x
	Focal Length	f = 4.3 mm ~ 129 mm
	Aperture Ratio	F1.6 (wide) ~ F4.7 (tele)
	Focus Distance	0.1 / 1.0 / 3.0 / 6.0 / 10.0 m
	Function	Digital Zoom
	Exposure	Auto / Iris.P / Shut.P / Manual
	Gain Control	Off / On (Auto max.30dB)
	Shutter Speed	1/30(1/25) ~ 1/60,000
	Digital Shutter Speed	Off / 2x ~ 4x
	Brightness	1 ~ 20 steps
	Output Format	1080p / 720p
	Frequency	60Hz / 50Hz
	WDR	Off / On
	BLC	Off / On
	HLC	Off / On
	Day & Night	Auto / Day / Night / Ext-in
	White Balance	Auto / One Push / Manual / Indoor / Outdoor
	DNR	Off / Auto / Low / Middle / High
	Privacy Mask	Off / 24 positions
	Motion Detection	Off / 3 positions
	Defog	Off / On
	Mirror	Off / H / V / H+V
	Sharpness	0 ~ 10
	Shading	Off / On
	Smart IR	Off / On
	Defect Detection	Off / On
	CVBS Output	Off / On
Communication	Protocol	Pelco-D / Pelco-P / VISCA
	Baud Rate	2400 / 4800 / 9600 / 19200 / 38400 / 57600 / 115200
Electrical	Power source	DC 12V ± 10%
	Power consumption	Max 500mA
General	Operating Temperature	-10℃ ~ +50℃
	Storage Temperature	-20℃ ~ +60℃
Weight		Approximately 0.57kg

## CONTROLLER (Sold Separately)

IRC-300



Key setting : TELE(UP) , WIDE(DOWN)  
NEAR(LEFT) , FAR(RIGHT)  
MENU, F1, F2