

MB-H208

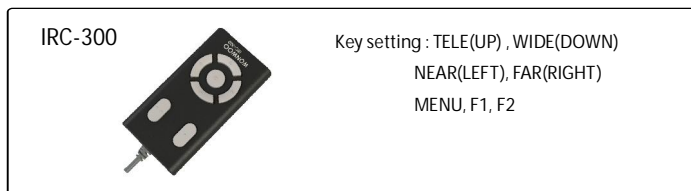
20x Zoom Hybrid(IP+HD-SDI) Camera



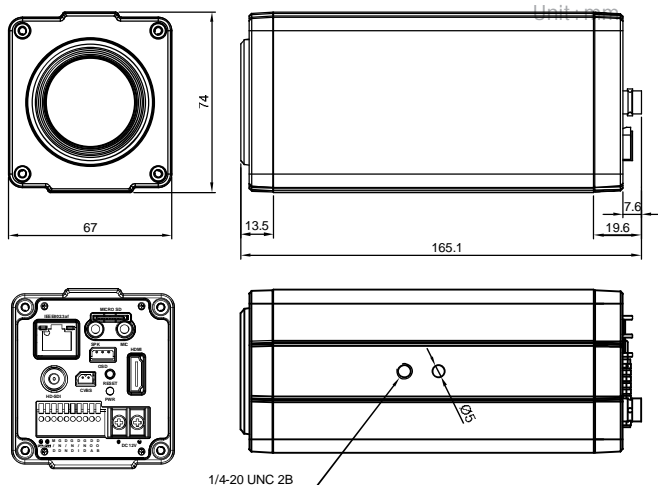
FEATURES

- 1/3" 2MP 60fps Panasonic CMOS sensor
- 1080p 60fps / 30fps, 720p 60fps / 30fps
- Multiple Codecs: H.264, H.265, MJPEG
- Multiple Outputs: NETWORK, HD-SDI, CVBS, HDMI
- 20x Optical Zoom(4.7~94mm) & 32x Digital Zoom
- Real-time True WDR
- Digital Noise Reduction(2D+3D)
- Digital Slow Shutter
- Digital Image Stabilizer
- De-Fog, Live Defect correction, HLC(High Light Compensation)
- ACE(Advanced Contrast Enhancement)
- Privacy Mask, Motion Detection
- Multiple Protocols: VISCA, Pelco-D, Pelco-P
- H.264 and Motion JPEG compression
- Using Http common port for entire TCP/IP Protocol Suite (RTP/RTSP, SNMP, UDP,SMTP)
- ONVIF compliant API
- Industry leading latency of 200ms/2Mpix Bandwidth adaptive video streaming
- Integrated web server for camera parameter setting
- Dynamic IP support

CONTROLLER (Sold Separately)



DIMENSIONS



- ❖ 1/3" 2MP 60fps Panasonic CMOS
- ❖ 1080p 60fps/30fps, 720p 60fps/30fps
- ❖ Real-time True WDR
- ❖ NETWORK, HD-SDI, CVBS, HDMI

SPECIFICATIONS

MB-H208		
Image sensor	Sensor Type	1/3" Panasonic CMOS
	Total Pixels	1956(H) x 1266(V) = 2,476,296 (pixel)
	Active Pixels	1944(H) x 1092(V) = 2,122,848 (pixel)
Resolution		Digital : 1080p/60(50)fps, 1080p/30(25)fps, 720p/60(50)fps, 720p/30(25)fps
Scanning System		Progressive
Min.Illumination		Color : 0.5Lux, BW : 0.1Lux
		Color DSS : 0.002 lux , BW DSS : 0.001 lux
S/N Ratio		More than 50dB(AGC off)
Lens	Lens Type	20x, Day & Night Zoom Lens
	Zoom Ratio	Optical 20x , Digital 32x
	Focal Length	f = 4.7 mm - 94 mm
	Aperture Ratio	F1.6 (wide) - F3.5 (tele)
	Focus Distance	0.1 / 1.0 / 3.0 / 6.0 / 10.0 m
Function	Digital Zoom	Off / 2x - 32x
	Exposure	Auto / Iris.P / Shut.P / Manual
	Gain Control	Off / On (Auto max.30dB)
	Shutter Speed	1/30(1/25) - 1/30,000
	Digital Shutter Speed	Off / 2x - 4x
	Brightness	0 - 20
	Output Format	1080p / 720p
	Frequency	60Hz / 50Hz
	WDR	Off / On
	BLC	Off / On
	HLC	Off / On
	Day & Night	Auto / Day / Night / Ext-in
	White Balance	Auto / One Push / Manual / Indoor / Outdoor
	DNR	Off / Auto / Low / Middle / High
	Privacy Mask	Off / 24 positions
	Motion Detection	Off / 3 positions
	Defog	Off / On
	Mirror	Off / H / V / H+V
	Sharpness	0 - 10
Shading	Off / On	
Smart IR	Off / On	
Defect Detection	Off / On	
CVBS Output	Off / On	
Communication	Protocol	Pelco -D / Pelco-P / VISCA
	Baud Rate	2400 / 4800 / 9600 / 19200 / 38400 / 57600 / 115200
Electrical	Power Source	DC 12V ± 10%
	Power Consumption	Max 500mA
General	Operating Temperature	-10℃ ~ 50℃
	Storage Temperature	-20℃ ~ 60℃
Weight		Approximately 0.57kg

NETWORK	
Network Interface	10/100-Base T Ethernet (Auto-sensing)
Cabling(Connector) Type and Video Output	CAT5(RJ45) for ethernet, Coaxial(BNC) for HD-SDI, 2-pin Connector for CVBS output
Control	Both Ethernet and RS-485
API	Onvif/PSIA Compliant
Protocol	HTTP, RTP/RTSP, TCP/IP, FTP, Telnet, RARP, PPPoE, NTP, SMTP client
Service	Image upload / Notification service