

# MB-H308

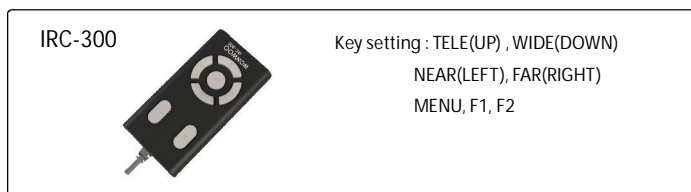
30x Zoom Hybrid(IP+HD-SDI) Camera



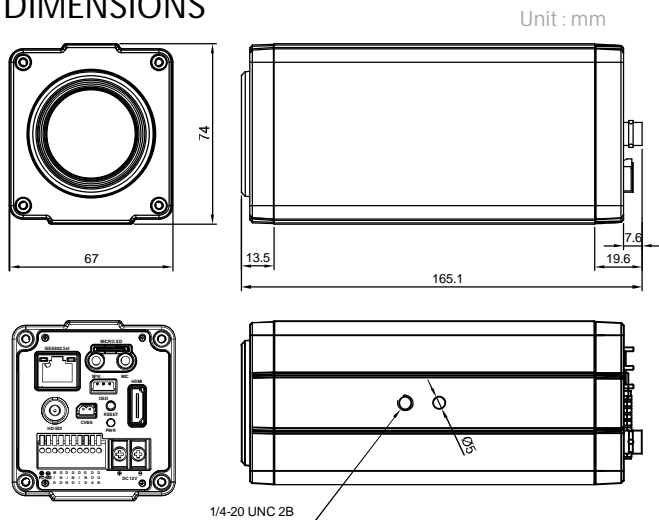
## FEATURES

- 1/3" 2MP 60fps Panasonic CMOS sensor
- 1080p 60fps / 30fps, 720p 60fps / 30fps
- Multiple Codecs: H.264, H.265, MJPEG
- Multiple Outputs: NETWORK, HD-SDI, CVBS, HDMI
- 30x Optical Zoom(4.3~ 129mm) & 32x Digital Zoom
- Real-time True WDR
- Digital Noise Reduction(2D+3D), Digital Slow Shutter
- Digital Image Stabilizer
- De-Fog, Live Defect correction, HLC(High Light Compensation)
- ACE(Advanced Contrast Enhancement)
- Privacy Mask, Motion Detection
- Multiple Protocols: VISCA, Pelco-D, Pelco-P
- H.264 and Motion JPEG compression
- Using Http common port for entire TCP/IP Protocol Suite
- ONVIF compliant API
- Industry leading latency of 200ms/2Mpix Bandwidth adaptive video streaming
- Integrated web server for camera parameter setting
- Dynamic IP support

## CONTROLLER (Sold Separately)



## DIMENSIONS



- ❖ 1/3" 2MP 60fps Panasonic CMOS
- ❖ 1080p 60fps/30fps, 720p 60fps/30fps
- ❖ Real-time True WDR
- ❖ NETWORK, HD-SDI, CVBS, HDMI

## SPECIFICATIONS

MB-H308		
Image sensor	Sensor Type	1/3" Panasonic CMOS
	Total Pixels	1956(H) x 1266(V) = 2,476,296 (pixel)
	Active Pixels	1944(H) x 1092(V) = 2,122,848 (pixel)
Resolution	Digital : 1080p/60(50)fps, 1080p/30(25)fps,	
	720p/60(50)fps, 720p/30(25)fps	
Scanning System	Progressive	
Min.Illumination	Color : 0.5Lux, BW : 0.1Lux	
	Color DSS : 0.002 lux , BW DSS : 0.001 lux	
S/N Ratio	More than 50dB(AGC off)	
Lens	Lens Type	30x, Day & Night Zoom Lens
	Zoom Ratio	Optical 30x , Digital 32x
	Focal Length	f = 4.3 mm - 129 mm
	Aperture Ratio	F1.6 (wide) - F4.7 (tele)
	Focus Distance	0.1 / 1.0 / 3.0 / 6.0 / 10.0 m
Function	Digital Zoom	Off / 2x ~ 32x
	Exposure	Auto / Iris.P / Shut.P / Manual
	Gain Control	Off / On (Auto max.30dB)
	Shutter Speed	1/30(1/25) - 1/60,000
	Digital Shutter Speed	Off / 2x ~ 4x
	Brightness	1 ~ 20 steps
	Output Format	1080p / 720p
	Frequency	60Hz / 50Hz
	WDR	Off / On
	BLC	Off / On
	HLC	Off / On
	Day & Night	Auto / Day / Night / Ext-in
	White Balance	Auto / One Push / Manual / Indoor / Outdoor
	DNR	Off / Auto / Low / Middle / High
	Privacy Mask	Off / 24 positions
	Motion Detection	Off / 3 positions
	Defog	Off / On
	Mirror	Off / H / V / H+V
	Sharpness	0 ~ 10
	Shading	Off / On
Smart IR	Off / On	
Defect Detection	Off / On	
CVBS Output	Off / On	
Communication	Protocol	Pelco -D / Pelco-P / VISCA
	Baud Rate	2400 / 4800 / 9600 / 19200 / 38400 / 57600 / 115200
Electrical	Power source	DC 12V ± 10%
	Power consumption	Max 500mA
General	Operating Temperature	-10°C ~ +50°C
	Storage Temperature	-20°C ~ +60°C
Weight	Approximately 0.57kg	

## NETWORK

Network Interface	10/100-Base T Ethernet (Auto-sensing)
Cabling(Connector) Type and Video Output	CAT5(RJ45) for ethernet, Coaxial(BNC) for HD-SDI, 2-pin Connector for CVBS output
Control	Both Ethernet and RS-485
API	Onvif/PSIA Compliant
Protocol	HTTP, RTP/RTSP, TCP/IP, FTP, Telnet, RARP, PPPoE, NTP, SMTP client
Service	Image upload / Notification service