

Ultra Sensitivity

MB-HS308

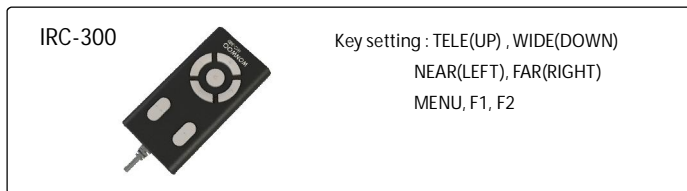
30x Zoom Hybrid(IP+HD-SDI) Camera



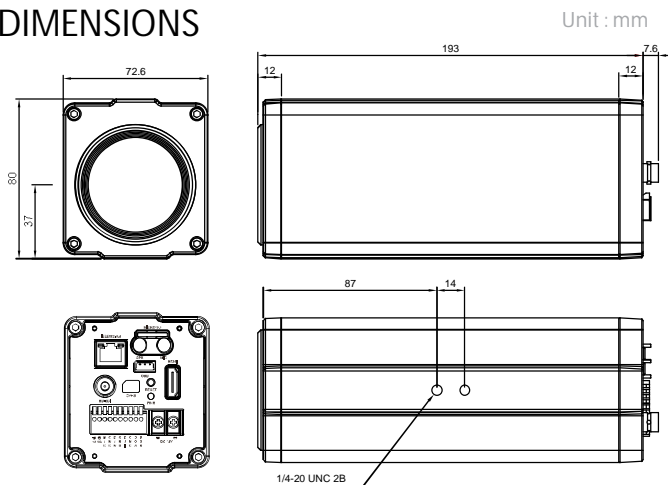
FEATURES

- Sony 1/2" 2MP 60fps CMOS sensor
- 1080p 60fps / 30fps, 720p 60fps
- Multiple Codecs: H.264, H.265, MJPEG
- Multiple Outputs: NETWORK, HD-SDI, CVBS, HDMI
- 30x Optical Zoom(6~180mm) & 32x Digital Zoom
- Real-time True WDR
- Digital Noise Reduction(2D+3D)
- Digital Slow Shutter
- Digital Image Stabilizer
- De-Fog, Live Defect correction, HLC(High Light Compensation)
- ACE(Advanced Contrast Enhancement)
- Privacy Mask, Motion Detection
- Multiple Protocols: VISCA, Pelco-D, Pelco-P
- H.264 and Motion JPEG compression
- Using Http common port for entire TCP/IP Protocol Suite (RTP/RTSP, SNMP, UDP,SMTP)
- ONVIF compliant API
- Industry-Leading low latency of 200ms/2Mpix Bandwidth
- Integrated web server for camera parameter setting
- Dynamic IP support

CONTROLLER (Sold Separately)



DIMENSIONS



- ❖ 1/2" 2MP 60fps Sony CMOS
- ❖ 1080p 60fps/30fps, 720p 60fps
- ❖ Real-time True WDR
- ❖ NETWORK, HD-SDI, CVBS, HDMI

SPECIFICATIONS

MB-HS308		
Image sensor	Sensor Type	1/2" Sony CMOS
	Image size	Diagonal 8.58 mm(Type 1/1.9)
	Effective pixels	1945(H)x1225(V) Approx. 2.38M pixels
Resolution		Digital : 1080p/60(50)fps, 1080p/30(25)fps, 720p/60(50)fps, 720p/30(25)fps
Scanning System		Progressive
Min.Illumination		Color : 0.15lux, BW : 0.03lux
		Color DSS: 0.0375lux, BW DSS: 0.0075lux
Video Output		NETWORK, HD-SDI, EX-SDI, CVBS, HDMI
S/N Ratio		More than 50dB(AGC off)
Lens	Lens Type	30x, Day & Night Zoom Lens
	Zoom Ratio	Optical 30x, Digital 32x
	Focal Length	f = 6 mm ~ 180 mm
	Aperture Ratio	F1.5(wide) ~ F4.3(tele)
	Focus Distance	0.1 / 1.0 / 3.0 / 5.0 / 10.0 m
Function	Digital Zoom	Off / 2x ~ 32x
	Exposure	Auto / Iris.P / Shut.P / Manual
	Gain Control	Off / On (Auto max.48dB)
	Shutter Speed	1/30(1/25) ~ 1/30,000
	Digital Shutter Speed	Off / 2x ~ 4x
	Brightness	1 ~ 20 steps
	Output Format	1080p / 720p
	Frequency	60Hz / 50Hz
	WDR	Off / On
	BLC	Off / On
	HLC	Off / On
	Day & Night	Auto / Day / Night / Ext-in
	White Balance	Auto / One Push / Manual / Indoor / Outdoor
	DNR	Off / Auto / Low / Middle / High
	Privacy Mask	Off / 24 positions
	Motion Detection	Off / 3 positions
	Defog	Off / On
Mirror	Off / H / V / H+V	
Sharpness	0 ~ 10	
Defect Detection	Off / On	
CVBS Output	Off / On	
Communication	Protocol	Pelco -D / Pelco-P / VISCA
	Baud Rate	2400 / 4800 / 9600 / 19200 / 38400 / 57600 / 115200
Electrical	Power source	DC 12V ± 10%
	Power consumption	Max 500mA
General	Operating Temperature	-10℃ ~ +50℃
	Storage Temperature	-20℃ ~ +60℃

NETWORK

Network Interface	10/100-Base T Ethernet (Auto-sensing)
Cabling(Connector) Type and Video Output	CAT5(RJ45) for ethernet, Coaxial(BNC) for HD-SDI, 2-pin Connector for CVBS output
Control	Both Ethernet and RS-485
API	Onvif/PSIA Compliant
Protocol	HTTP, RTP/RTSP, TCP/IP, FTP, Telnet, RARP, PPPoE, NTP, SMTP client
Service	Image upload / Notification service