

## High Sensitivity Camera

# MB-S308

Sony 1/2" Sensor 2MP 30x AF HD-SDI Camera

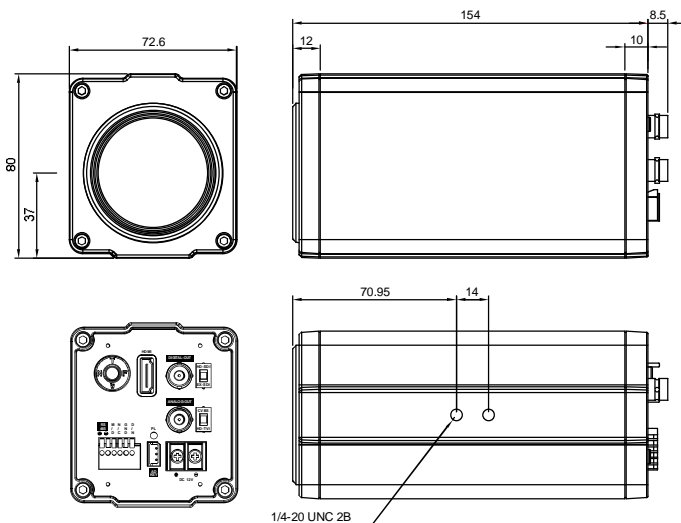


## FEATURES

- 1/2" 2MP 60fps Sony CMOS sensor
- 1080p 60fps / 30fps, 720p 60fps
- HD-SDI, EX-SDI, TVI, CVBS, HDMI
- 30x Optical Zoom(6~180mm) & 32x Digital Zoom
- Real-time True WDR
- Digital Noise Reduction(2D+3D)
- Digital Slow Shutter
- Digital Image Stabilizer
- De-Fog, Live Defect correction, HLC(High Light Compensation)
- ACE(Advanced Contrast Enhancement)
- Privacy Mask, Motion Detection
- Protocol(VISCA, Pelco-D, Pelco-P)
- Minimum Illumination (50%)
  - Color (1/30s): 0.15Lux, B/W (1/30s): 0.03Lux
  - Color DSS (1/7.5s): 0.0375Lux, B/W DSS (1/7.5s): 0.0075Lux

## DIMENSIONS

Unit : mm



- ❖ 1/2" 2MP 60fps Sony CMOS
- ❖ 1080p 60fps/30fps, 720p 60fps
- ❖ Real-time True WDR
- ❖ HD-SDI, EX-SDI, TVI, CVBS, HDMI

## SPECIFICATIONS

MB-S308		
Image sensor	Sensor Type	1/2" Sony CMOS
	Image size	Diagonal 8.58 mm(Type 1/1.9)
	Effective pixels	1945(H)x1225(V) Approx. 2.38M pixels
Resolution	Digital : 1080p/60(50)fps, 1080p/30(25)fps,	
	720p/60(50)fps, 720p/30(25)fps	
Scanning System	Progressive	
Min.Illumination	Color : 0.15Lux, BW : 0.03lux	
	Color DSS: 0.0375Lux, BW DSS: 0.0075lux	
Video Output	HD-SDI, EX-SDI, TVI, CVBS, HDMI	
S/N Ratio	More than 50dB(AGC off)	
Lens	Lens Type	30x, Day & Night Zoom Lens
	Zoom Ratio	Optical 30x, Digital 32x
	Focal Length	f = 6 mm ~ 180 mm
	Aperture Ratio	F1.5(wide) ~ F4.3(tele)
	Focus Distance	0.1 / 1.0 / 3.0 / 5.0 / 10.0 m
Function	Digital Zoom	Off / 2x ~ 32x
	Exposure	Auto / Iris.P / Shut.P / Manual
	Gain Control	Off / On (Auto max.48dB)
	Shutter Speed	1/30(1/25) ~ 1/30,000
	Digital Shutter Speed	Off / 2x ~ 4x
	Brightness	1 ~ 20 steps
	Output Format	1080p / 720p
	Frequency	60Hz / 50Hz
	WDR	Off / On
	BLC	Off / On
	HLC	Off / On
	Day & Night	Auto / Day / Night / Ext-in
	White Balance	Auto / One Push / Manual / Indoor / Outdoor
	DNR	Off / Auto / Low / Middle / High
	Privacy Mask	Off / 24 positions
	Motion Detection	Off / 3 positions
	Defog	Off / On
Mirror	Off / H / V / H+V	
Sharpness	0 ~ 10	
Defect Detection	Off / On	
CVBS Output	Off / On	
Communication	Protocol	Pelco -D / Pelco-P / VISCA
	Baud Rate	2400 / 4800 / 9600 / 19200 / 38400 / 57600 / 115200
Electrical	Power source	DC 12V ± 10%
	Power consumption	Max 500mA
General	Operating Temperature	-10°C ~ +50°C
	Storage Temperature	-20°C ~ +60°C

## CONTROLLER (Sold Separately)

IRC-300



Key setting : TELE(UP) , WIDE(DOWN)  
NEAR(LEFT), FAR(RIGHT)  
MENU, F1, F2