

HD CONVERTER

Model No. RX100SM

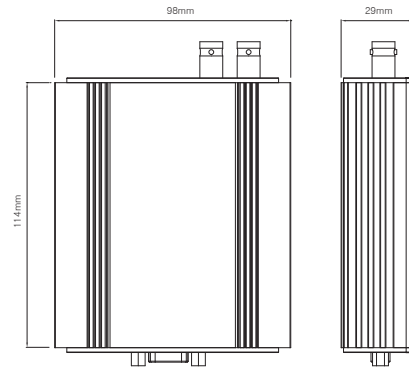


The RX100SM converts HD-SDI input into HDMI, VGA, SDI (Loop-out) and S-Video, displaying the status of the resolutions.

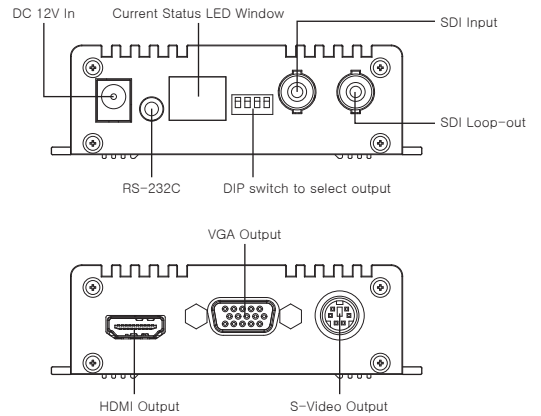
Features

- * HD-SDI or 3G-SDI Video Input
- * Multiple Outputs of HD-SDI, VGA, HDMI, and S-Video
- * Identifying Input Resolution and Product Status through LED Window
- * Maximized Design for Improvement of Thermal Conduction Rate

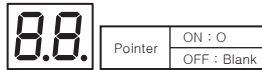
Dimensions



Front & Back



Status



Format NO	H Active	V Active	P : Progressive / I : Interlace
61	1280	720	25p
19	1280	720	50p
62	1280	720	30p
4	1280	720	60p
33	1920	1080	25p
20	1920	1080	50i
31	1920	1080	50p
34	1920	1080	30p
5	1920	1080	60i
16	1920	1080	60p

Trouble Shooting

HDMI or VGA output from RX100SM is connected to TV or Monitor but no picture.

1. Try Dip switch #3 at down position: if it still doesn't work, the TV or Monitor is not compatible with RX100SM.
2. TV or Monitor doesn't support the resolution of the camera (1280x720 30p is mainly for industrial use so it might not support regular TV and/or Monitor).

You can see digits but not video.

1. RX100SM recognizes the resolution of the camera but TV or Monitor doesn't.
2. Some monitors don't support the resolution of the camera (video will be downscaled, ex 1280x720 30p/60p Input => 800x600 60p Output)

RX100SM does not support audio.

Resolution of SDI Input

Horizontal	Vertical	Frame(Hz)	Progress / Interlace
1920	1080	60	Progress
1920	1080	60	Interlace
1920	1080	59.94	Progress
1920	1080	50	Progress
1920	1080	50	Interlace
1920	1080	30	Progress
1920	1080	25	Progress
1280	720	60	Progress
1280	720	50	Progress
1280	720	30	Progress
1280	720	25	Progress

Resolution of Downscale

Horizontal	Vertical	Frame(Hz)	Progress / Interlace
1280	1024	60	Progress
1280	720	60	Progress
1024	768	50	Progress
800	600	50	Progress
640	480	60	Progress

Dip Switch

S/W No	Function	Status	Details
1	NTSC/PAL select	Up	CVBS/ S-VIDEO NTSC Output
		Down	CVBS/ S-VIDEO PAL Output
2	Aspect Ratio	Up	CVBS/ S-VIDEO SQUEEZE(16:9) Output
		Down	CVBS/ S-VIDEO CROP(4:3) Output
3	SDI 1:1 output	Up	HDMI/ VGA EDID Scanning Output
		Down	HDMI/ VGA EDID NON Scanning Output (SDI 1:1)
4	Border	Up	HDMI/ VGA with No White Outline
		Down	HDMI/ VGA with White Outline