

**CAUTION:**

- \* Read the instructions thoroughly before doing any installation.
- \* Your open rack must be secured firmly on the ground for safe set up.

**NOTE:**

- \* Rack mount kit TRK-1906 is used for LCD monitor mounted onto 19" standard open rack.
- \* Open rack only.
- \* Compatible monitor TLM-1906.
- \* Rack must be in compliance with ANSI/EIA, RS-310C Standards, 19" rules.
- \* The rack mounting screws are machine screw M5, provided by rack manufacturer.

Check the components in the package, see FIG 1.

1. Mounting Frame, (x2, one right, one left)
2. Screw, M3-16mm length, Self-Tap for Plastic, Flat head, Philips, black (x4).

**Installation Instruction:**

1. Put the monitor TLM-1906 face down on a safe, flat surface, take off 4 screws from the back of monitor, the base/stand then being removed, see FIG. 2.
2. Secure two Mounting Frames on two sides of the monitor by using screws provided (M3-16, self-tap), see FIG. 3.

**NOTE:**

- \* Do not use over force on the M3-screws.
- \* The "open" for hanging on the Mounting Frame should be upward to top of the monitor, it will be used to hang the monitor on the rack. See FIG 3.

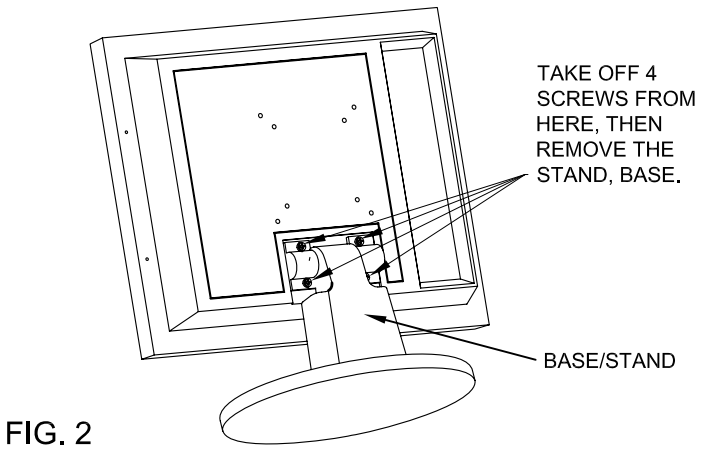


FIG. 2

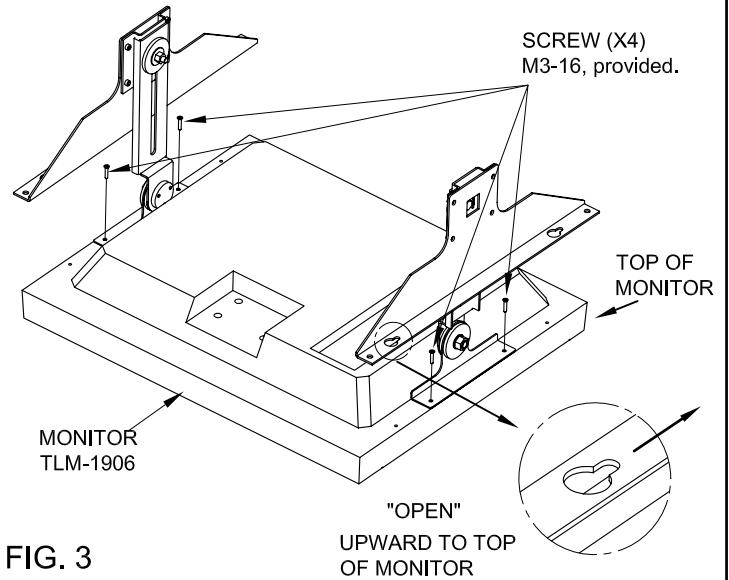


FIG. 3

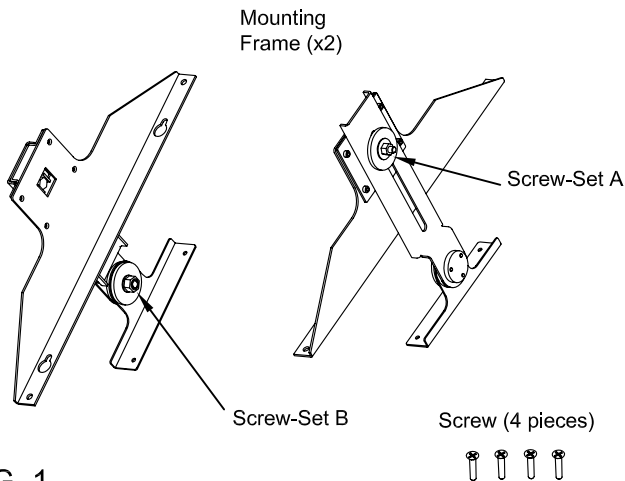


FIG. 1

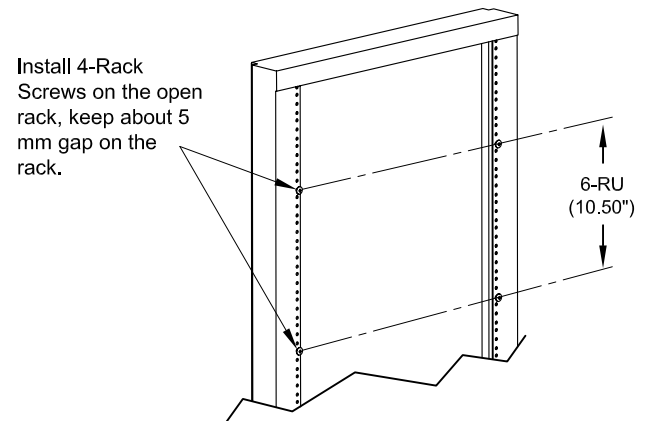


FIG. 4

3. Install Rack Screws (use screw-drive) on the rack, the vertical distance of two screws is 10.5" (or 6 RUs), see FIG 4. Do not tighten the rack screws, remain about 5 mm gap between Screw and rack surface so the Mounting Frame can be inserted and hanged.
4. Hang the Mounting Frame on the Rack Screws. Tighten the Rack Screws completely, make sure that Mounting Frame with Monitor is secured on the rack. See FIG 5.
5. Refer to Fig 1, the Screw-Set-A is adjustable for monitor sliding back and forth. Screw-Set-B is adjustable for monitor tilting.

FIG. 5

