

PRODUCT SPECIFICATION

PRODUCT: LCD Monitor Wall Mount Kit
MODEL: TWM-157

Product Features:

- * Low Cost
- * Support up to 18 Pounds (8 kg)
- * Designed for LCD monitor, from 15" to 20", with VESA STD 75mm or 100mm.
- * Compatible monitor models:
 - TLM-1503 TLM-1903
 - TLM-1703 TLM-1905
 - TLM-1505 TLM-1907
 - TLM-1705 TLM-2001
 - TLM-1707
- * Wide Tilt Angle
- * Lightweight for easy, fast installation
- * Special hinge design provides the stability of torque force to support tilting.

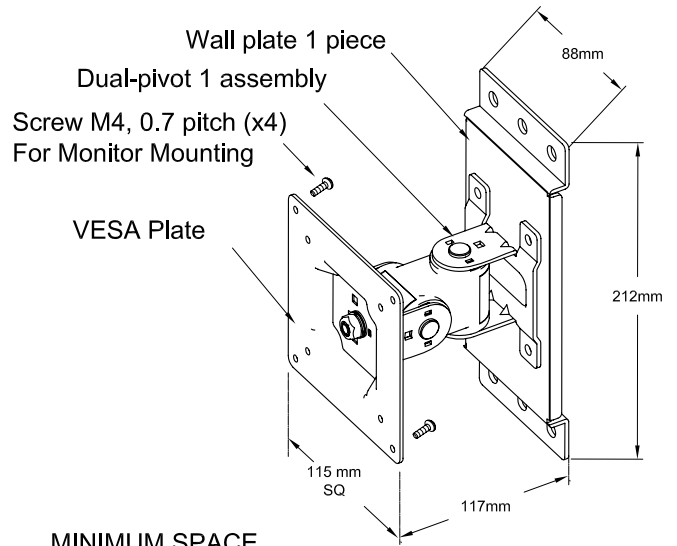
TECHNICAL SPECIFICATIONS

MECHANICAL

Components	Dual-pivot, 1 assembly Wall plate, 1 piece VESA Plate, 1 piece
Tilt Adjustment	Left-right: 60° Up-down: 80° Azimuth Rotate: 90°
Monitor Mounting	Machine Screw, M4, 0.7 pitch, PP, 4 pieces Zinc-Plated Steel Grade 2.
Wall Plate Mounting	Consult with local engineer for proper Mount, ensure where wall surface has enough strength

GENERAL

Construction	
Dual-pivot	Body: Cast Aluminum Alloy Torque Force: Steel Bolt & Screw Set, M8
VESA Plate	0.078"(2mm) thick cold-rolled steel
Wall plate	0.1"(2.62mm) thick cold-rolled steel
Finishing	Baking Paint, Black
Maximum Load	18 lb. (8 kg)
Unit Weight	2.2 lb. (1.0 kg)
Shipping Weight	2.6 lb. (1.2 kg)
Shipping Meas:	9"x5"x5.5" (230x125x140mm) (WXDXH)



MINIMUM SPACE FOR INSTALLATION

