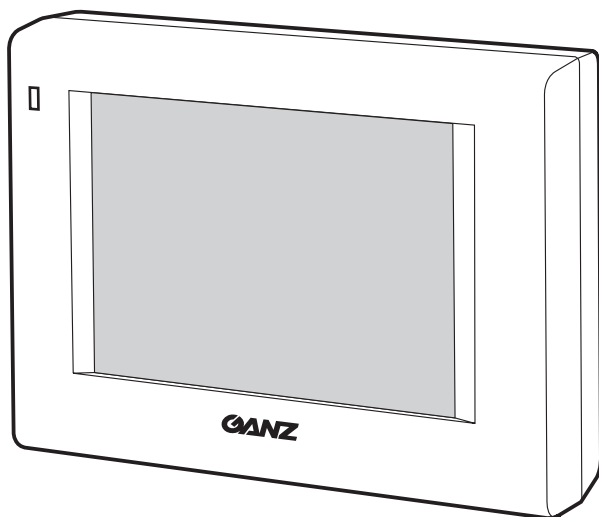


PORTABLE MONITOR

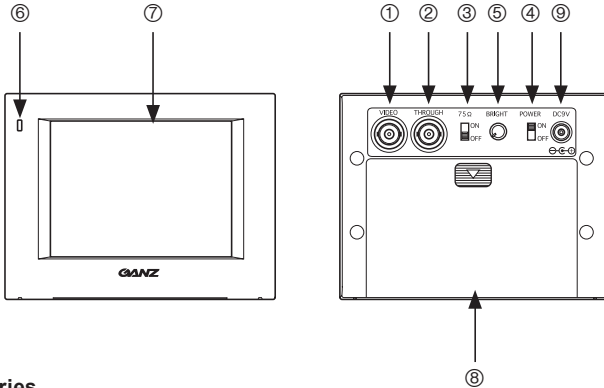
# ZM-L304N

---

INSTRUCTION MANUAL



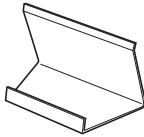
# Part names and functions



## Accessories



Soft case with strap



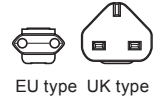
Stand



AC adapter  
(NTSC)



AC adapter  
(PAL)



EU type UK type

### ① Video input terminal (VIDEO)

Connect to the video output terminal of the camera by coaxial cable.

### ② Video through terminal (THROUGH)

Connect to the input terminal of the external monitor by coaxial cable.

### ③ 75Ω terminator switch (75Ω)

OFF : When connected to a 75Ω external monitor.

ON : When no external monitor is connected.

### ④ Power switch (POWER)

OFF : To turn the power off.

ON : To turn the power on.

### ⑤ Brightness adjustment dial (BRIGHT)

Adjusts the brightness of the LCD.

### ⑥ Power indicator

Light on : Power is on.

Blinking : Battery replacement required.

Light off : Power is off, or batteries entirely depleted.

### ⑦ LCD

### ⑧ Battery cover

### ⑨ AC adapter connection terminal

Connect to the DC plug when using the AC adapter provided.

## Power supply

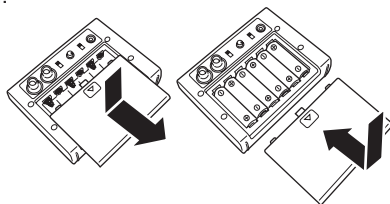
This monitor can be powered with batteries, or by an AC adapter. Use the power source that best suits the application.

### • Using batteries

Only use alkaline batteries (use of lithium manganese batteries reduces battery operation time substantially).

#### • How to insert the batteries

- 1 Turn the power switch (POWER) (④) off.
- 2 Remove the battery cover (③).
- 3 Insert six AA-size alkaline batteries.  
Orient the batteries to the polarity (+/-) marked on the battery case.
- 4 Close the battery cover.



#### • Battery life

### Using alkaline batteries (LR6) ... 7 hours\*

\* This is the standard value for use at an ambient temperature of 25°C (77°F). Battery life varies according to operating environment, battery manufacturer, and battery storage conditions.

#### • Battery replacement

- When the power indicator (⑥) blinks, replace the batteries with new ones (batteries can still be used for some time after blinking starts).
- Do not use any batteries other than alkaline.
- Do not use old and new batteries together.
- Carry spare batteries when using the monitor outdoors.

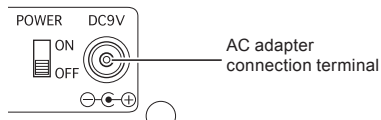
### ⓘ Caution

- When the batteries run down, replace them immediately with new batteries. If discharged batteries are left in the monitor, they can leak and damage it. If batteries leak, take care to avoid the fluid coming into contact with your skin and eyes, and wipe it away with a cloth.

### • Using an AC adapter

Only use the AC adapter provided with the monitor.

- 1 Plug in to an electrical outlet.  
Plug the AC adapter into the electrical outlet, and then connect the DC plug to the AC adapter connection terminal of the monitor.



### ⓘ Caution

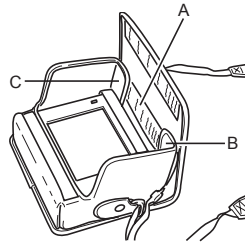
- Only use the AC adapter provided. Use of a different AC adapter could cause monitor breakdown, overheating and fire.
- When the DC plug is connected to the monitor, the power supply from the batteries is cut off. When the AC adapter is in use, take the batteries out of the monitor.

## Using the monitor

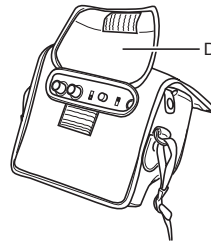
When working outdoors or moving around, it is convenient to use the monitor with the soft case provided. The stand provided can be used to hold the monitor in a fixed position for use.

### • Using the soft case

- ① Attach flaps B and C to the Velcro at A in the diagram to raise the hood. The hood blocks light from the front and sides, making the LCD easier to see.



- ② Open the rear flap, at D in the diagram, to reach the monitor terminals. External devices can be connected to the monitor while it is in the soft case.

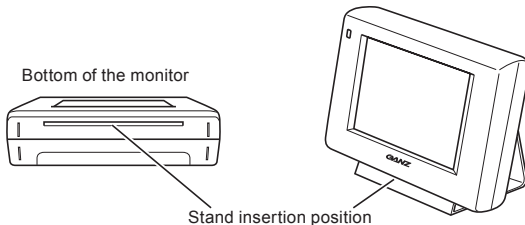


### Caution

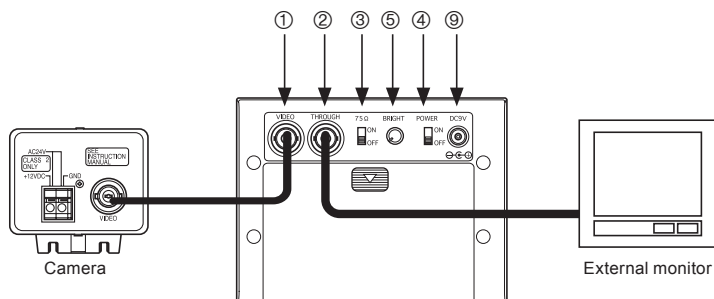
- Do not perform any tasks other than camera adjustment with the case hanging around your neck. Accidental tangling and tightening of the strap could cause strangulation.
- Do not leave the monitor swinging from the strap.
- The strap is only for use with the soft case. Do not use it for other purposes.

### • Using the stand

Set the monitor, facing forward, on the stand, as shown in the diagram. Fit the stand into the slot on the bottom of the monitor.



## Connection with external devices



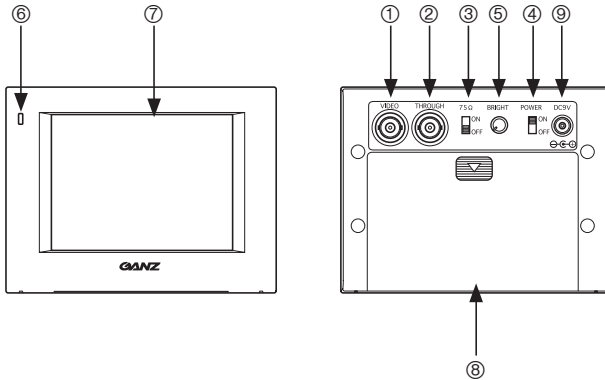
### • Connection to a camera

- 1** Turn the power switch (POWER) (④) off.
- 2** Turn the 75Ω terminator switch (75Ω)(③) on.
- 3** Connect the camera to the video input terminal (VIDEO) (①).  
Connect the video input terminal to the output terminal of the camera by coaxial cable.

### • Connection to an external monitor

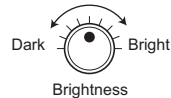
- 1** Turn the power switch (POWER) (④) off.
- 2** Turn the 75Ω terminator switch (75Ω)(③) off.
- 3** Connect the external monitor to the video through terminal (THROUGH) (②).  
Connect the video through terminal to the input terminal of the external monitor by coaxial cable.

# Operation



## • Viewing the screen

- 1** Turn the power switch (POWER) (4) on.  
When the power is turned on, the power indicator (6) lights and the camera image is displayed. If the image does not appear, check that the coaxial cable is connected correctly. If batteries are the power source and the power indicator does not light when the power is turned on, replace the batteries. (Refer to page 9)
- 2** Adjust brightness  
Use the brightness adjustment dial (BRIGHT) (5) to adjust to the necessary brightness.



### **Caution**

- The brightness of the LCD varies with the viewing angle. Always view the LCD from directly in front.
- When the video input terminal is not connected, the monitor switches to power saving mode, and the LCD becomes dimmer.

## • Turning the power off

- 1** Turn the power switch (POWER) (4) off.  
The power indicator (6) goes out and the image disappears from the LCD (7).

# Specification

Model No.	ZM-L304N	ZM-L304P
Video signal	NTSC	PAL
Display configuration	High resolution, high color 4-inch LCD (TFT-type LCD)	
Drive system	a-si TFT active matrix system	
Pixels	480 (V) x 234 (H) (total pixels: 112,320)	
LCD dimensions	82.11 (W) x 61.77 (H) mm (2.47-type, 6.3cm diagonal)	
Viewing angle	H	45° / 45° (right / left)
	V	10° / 30° (upper / lower)
Direction of viewing angle	6 o'clock	
Image adjustment	Brightness adjustment dial	
Connection terminals	Video input terminal (VIDEO): BNC / Video through terminal (THROUGH): BNC	
Terminal resistance	75Ω : ON / OFF	
Power consumption	Maximum 2W	
Power supply	AA-size alkaline batteries (6) DC 9V (dedicated AC adapter), DC power jack (EIAJ RC5320A, type 4 compliant)	
AC adapter	AC input: 90V to 264V, DC output: 9V / 660mA MAP ELECTRONICS CO.,LTD. products (3A-061WP12U)	
External dimensions	126 (W) x 96 (H) x 35 (D) mm	
Weight	Approximately 250g (excluding batteries and accessories)	
Ambient operating temperature and humidity	0°C to 40°C / 32°F to 104°F, RH not exceeding 80% (No condensing)	
Temperature and humidity in storage	-10°C to 60°C / 14°F to 140°F, RH not exceeding 85% (No condensing)	
Accessories	Soft case with strap, Stand, AC adapter, Instruction manual (this document)	
Official standards	FCC standard class A compliant, UL	CE

**Caution:** The LCD panel used as the LCD is constructed with high-precision technology and has at least 99.98% valid pixels. There may be pixels that do not light, or are permanently lit, but these are a characteristic of LCD panels and are not a malfunction.

\* The specifications and/or appearance of the product may change without a prior notice.

PelikanCam  
555 - A W. Lambert Road,  
Brea, CA 92821  
Tel: (714) 672 - 0333  
[www.PelikanCam.com](http://www.PelikanCam.com)